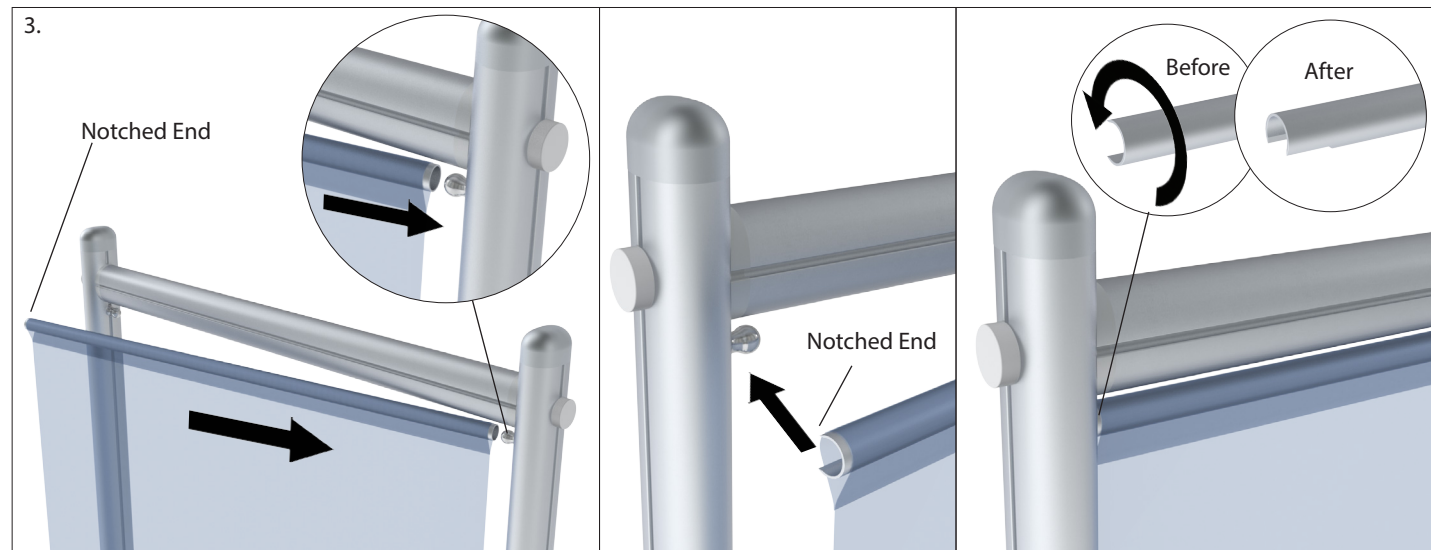
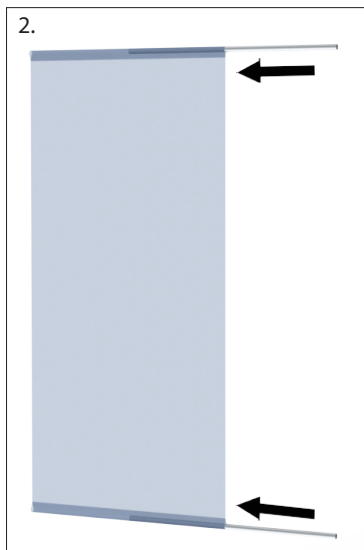
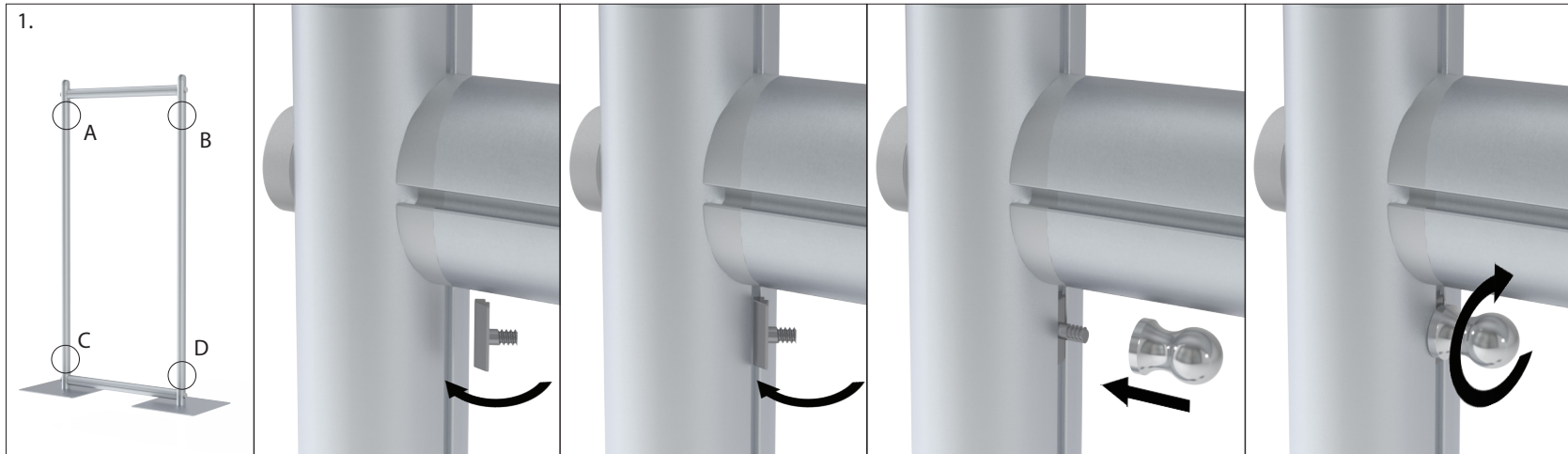
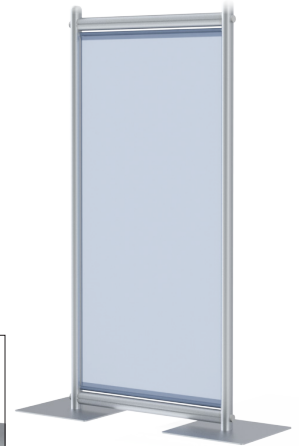


SignPost System™ - Graphic Pocket Arm - CRPA Series

1. Insert hammer glide into channel of upright, then attach thread knob and tighten to secure position. Repeat steps 1 and 2 for other glides and knobs shown at locations B, C and D.
2. Slide graphic over pocket arms.
3. Place circular end of pocket arm over knob. Place notched end of pocket arm over opposite knob, then rotate bar so notch is facing down.



CRPA25 shown